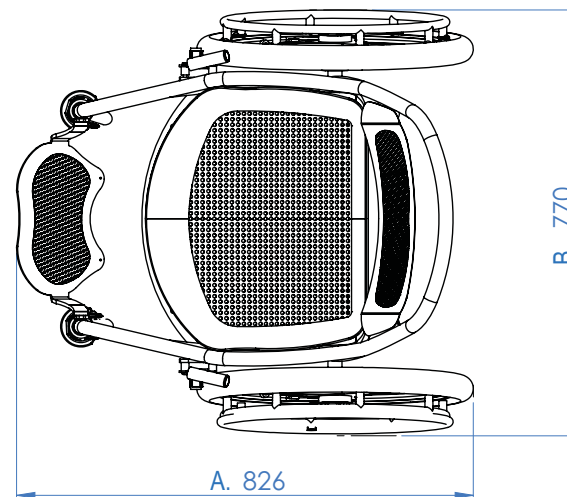
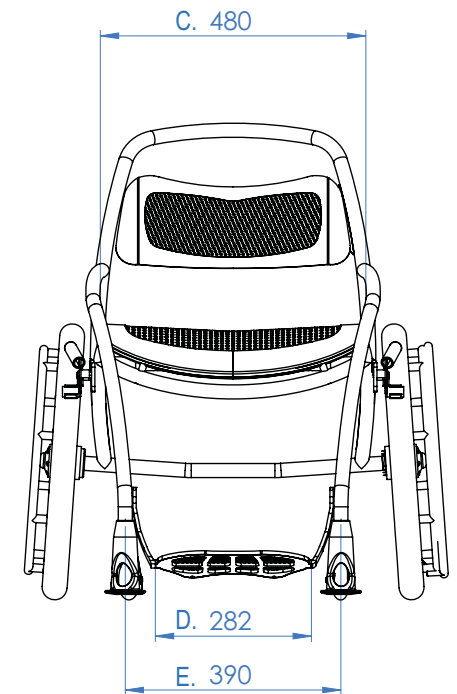
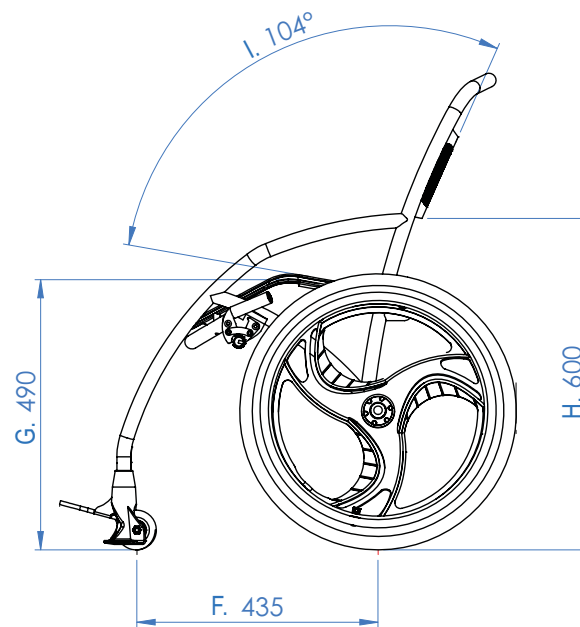




#### SPECIFICATION

Submersible wheelchair for use in swimming pools and wet leisure activities.

- Framework 316 grade stainless steel
- Hand operated pivot brake system
- 20" plastic rear wheels and push rails
- Pneumatic tyres
- Option of sealed stainless steel or plastic wheel bearings
- Quick dry fabric seating
- Chest strap for added lumbar support.



- |    |                                |
|----|--------------------------------|
| A. | Total Wheelchair Length        |
| B. | Total Wheelchair Width         |
| C. | Seating Width                  |
| D. | Foot Rest Width                |
| E. | Distance Between Front Castors |
| F. | Wheel Base                     |
| G. | Seat Height                    |
| H. | Back Rest Height               |
| I. | Seat Angle                     |